

Drawings

Magnetic Flowmeter AY6410

SD-AY6410-00-R00

Size 10 ~ 1800 mm

M6□□□N■

■ = 0010 ~ 1800

Integral type

Unit: mm

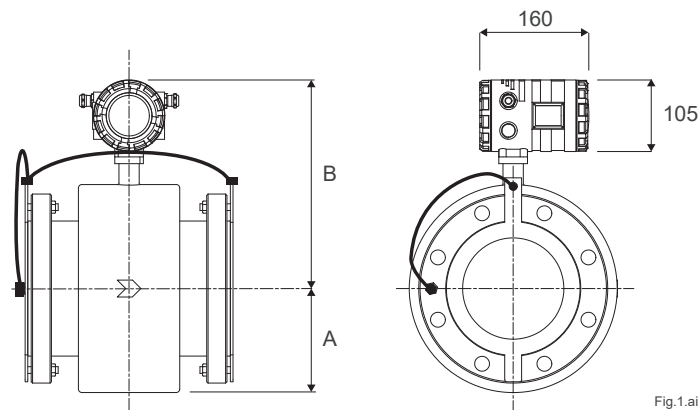
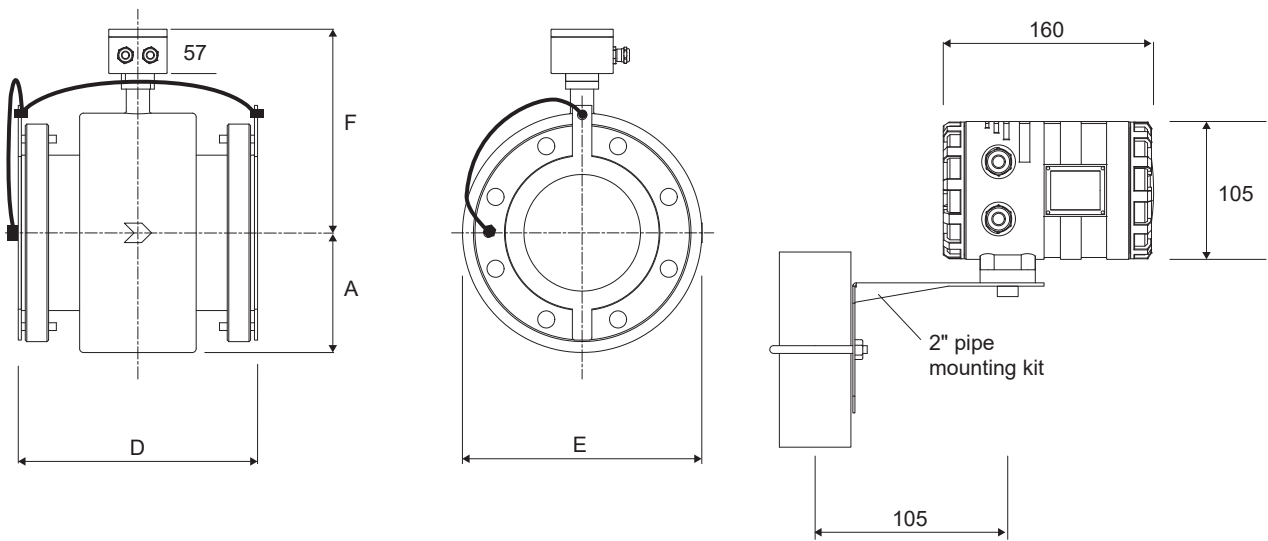


Fig.1.ai

Remote type



Transmitter can be mounted on wall or vertical/horizontal pipe

Fig.2.ai

Size	A	B	D	E	F
10	58	222	200	115	165
15, 20	70	234	200	140	177
25, 32	73	237	200	146	180
40, 50	88	252	200	175	195
65	94	258	200	187	201
80	102	266	200	203	209
100	117	281	250	234	224
125	136	300	250	272	243
150	154	318	300	308	261
200	180	344	350	359	287
250	207	371	450	413	314
300	Refer Notes below	381	500	Refer Notes below	324
350		412	550		355
400		437	600		380
450		463	600		406
500		488	600		431
550		513	600		456
600		536	600		479
700		579	700		522
750		606	750		549
800		640	800		582
900		672	900		615
1000		713	1000		655
1100		782	1100		725
1200		811	1200		754
1300		886	1300		829
1400		934	1400		877
1500		1005	1500		948
1600		1036	1600		979
1700		1102	1700		1045
1800		1148	1800		1091

Notes:

1. Tolerance for D:
 - size 10 - 200 mm: +0/-3 mm
 - size 250 mm and above: +0/-5 mm
2. Unless otherwise specified, limit deviations in the drawing are specified as IS 919-1.
3. Refer respective flange outer diameter for dimension E for sizes DN 300 and onward.
4. Dimension A for sizes DN 300 and onward is half of the Flange outer diameter.
5. Add a total of 6 mm for the two Linear protection rings to dimension "D".
7. Drawing is for representations purpose only, refer table for actual dimensions.

Terminal Configuration

Remote type and Integral type

* There is a difference in some parts depending on communication interface.
 In case of Integral type, the signal and excitation cables are internally connected at the factory to the [E1,G,E2,PE] and [C1,C2] terminals respectively.

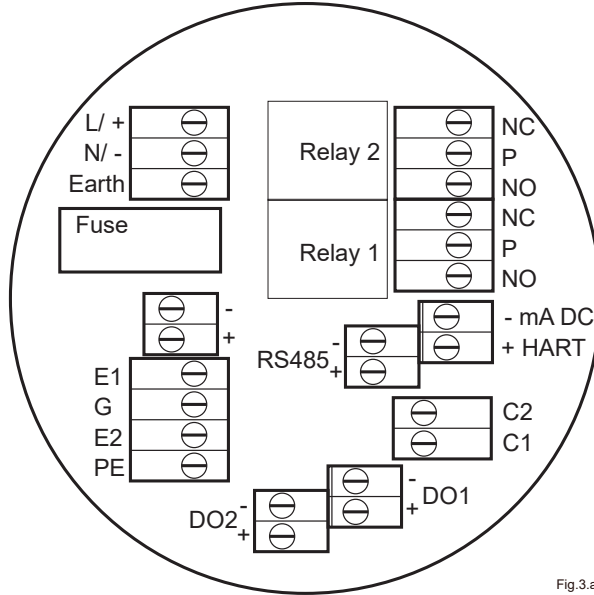


Fig.3.ai

Refer to the following table for a description of the terminals.

Marking	Description		Marking	Description
L / +	100-240 V AC/DC	24 V DC	NC	Relay 2 contacts
N / -	Neutral	0 V DC	P	
E	Earth		NO	
C1, C2	Coils		NC	Relay 1 contacts
E1, E2	Electrodes		P	
G	Electrode ground		NO	
PE	Empty Pipe electrode		mA DC +	Current output *
RS485 +	Modbus		mA DC -	
RS485 -		DO1 +	Digital output 1	
	DO1 -	Digital output 2		
	DO2 +			
		DO2 -		

* When selecting C5 or C11 for the communication interface, this terminal is use to be HART communication.
 • Fuse rating: 500 mA for AC power, 1 A for DC power
 Fast blow, Glass body 5x20 mm